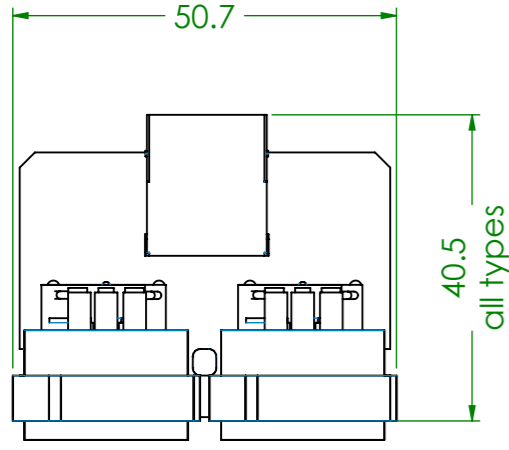


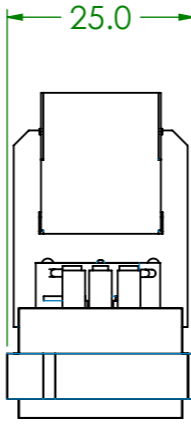
DNA/D2
1:1

RJ45 (DMX)
TO 2x XLR



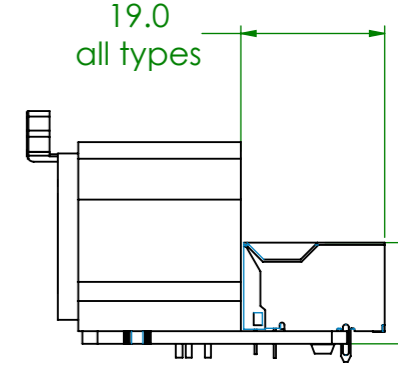
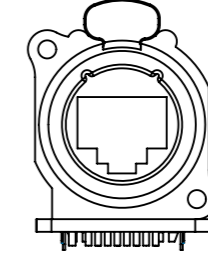
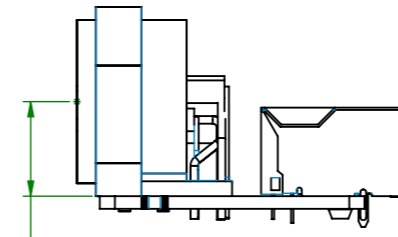
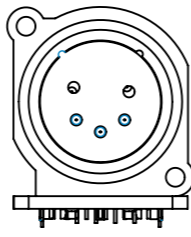
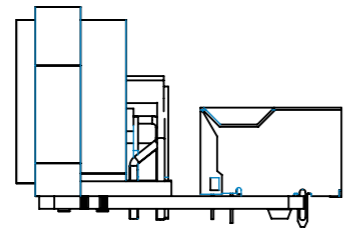
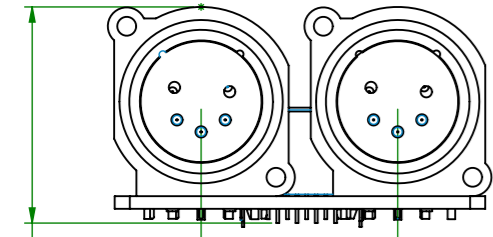
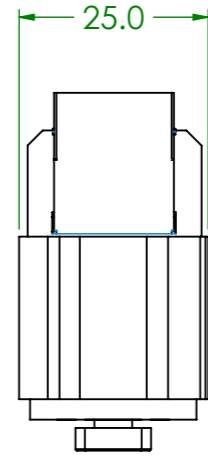
DNA/D1
1:1

RJ45 (DMX)
TO 1x XLR *

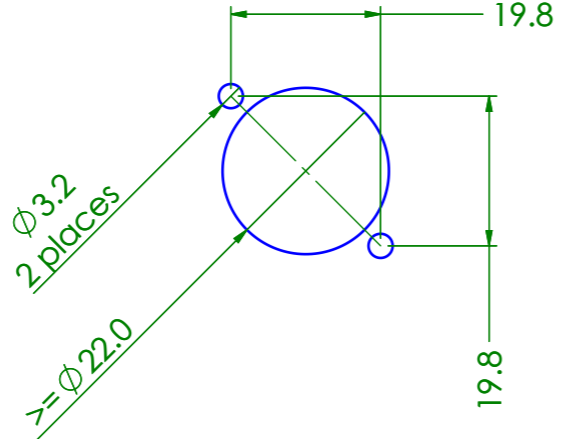


DNA/E1
1:2

RJ45 (ETHERNET)
TO XLR



XLR CUTOUT
ALL TYPES
(series A dims)
1:1



*SOCKET SIDE SHOWN
PLUG SIDE IDENTICAL
CUTOUT DIMS

 LSC Lighting Systems Pty Ltd www.lscighting.com.au		DWG NO. DNA2_M01L_A0	REVISION A
PRODUCT: VARIANT:	DNA/D PCB DIMS ALL		PART No DNA/D*
WEIGHT:	General (unspecified) Tolerance +/- ***mm		